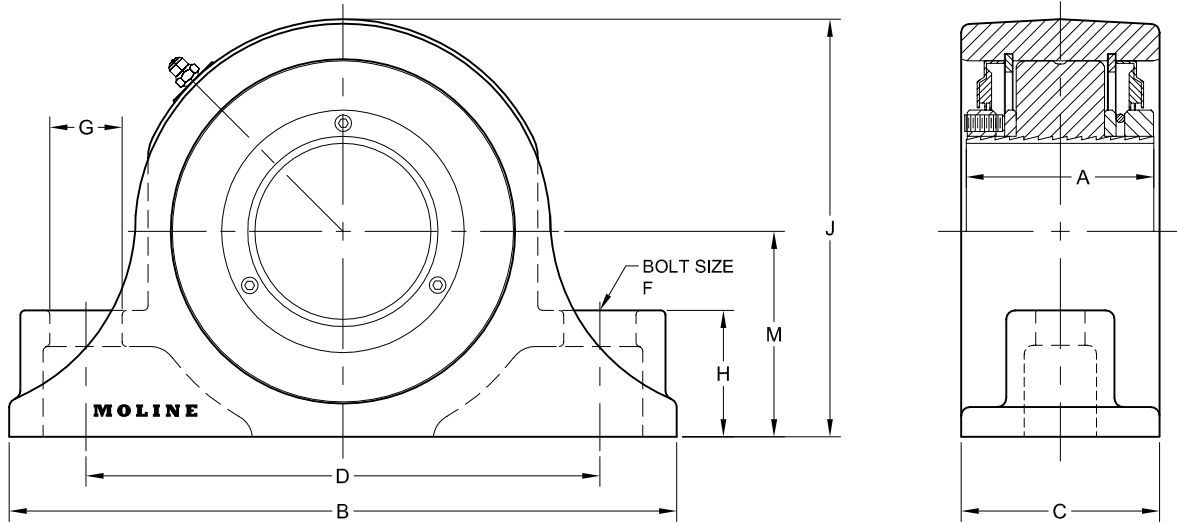


M3000 EVEN-LOK™ 2-BOLT PILLOW BLOCK

SHAFT SIZE	MOLINE PART #		DIMENSIONS (INCHES)									WEIGHT LBS.
	EXP	NON-EXP	A	B	C	D	F	G	H	J	M	
1 7/16 1 1/2	19621107 19621108	19721107 19721108	2 11/32	6 7/8	2 3/16	5	1/2	1 5/16	1 3/16	3 7/8	1 7/8	6.9
1 1 1/16 1 3/4	19621111 19621112	19721111 19721112	2 11/32	7 3/8	2 3/16	5 1/2	1/2	1 5/16	1 5/16	4 1/4	2 1/8	8.1
1 1 5/16 2	19621115 19621200	19721115 19721200	2 11/32	8 3/8	2 3/16	6 1/4	5/8	1	1 3/8	4 9/16	2 1/4	9.1
2 3/16	19621203	19721203	2 11/32	8 7/8	2 1/2	6 3/4	5/8	1	1 5/8	5	2 1/2	11.8
2 7/16 2 1/2	19621207 19621208	19721207 19721208	2 37/64	9 1/4	2 3/4	7 1/8	5/8	1	1 3/4	5 11/16	2 3/4	16.2
2 1 1/16 2 3/4 2 15/16 3	19621211 19621212 19621215 19621300	19721211 19721212 19721215 19721300	2 37/64	10 1/2	2 13/16	8 1/8	3/4	1 1/8	2 1/4	6 7/16	3 1/4	22.1
3 7/16 3 1/2	19621307 19621308	19721307 19721308	3 9/64	13	3 1/4	10	7/8	1 7/16	2 1/4	7 1/2	3 3/4	31.6
3 1 1/16 3 15/16 4	19621311 19621315 19621400	19721311 19721315 19721400	3 9/64	14 1/2	3 9/16	10 7/8	1	1 15/16	2 1/2	8 3/8	4 1/8	45



M3000 EVEN-LOK™ 2-BOLT PILLOW BLOCK



For personal service and special requests, please call us at 800.242.4633. CAD drawings available upon request at no additional charge.

For nomenclature see pages 190 and 191.



MOLINE BEARING CO.

Post Office Box 99, Batavia, Illinois 60510, USA
630.584.4600, 800.242.4633, 630.584.1999 fax
www.molinebearing.com, sales@molinebearing.com

TEL # **800.242.4633**

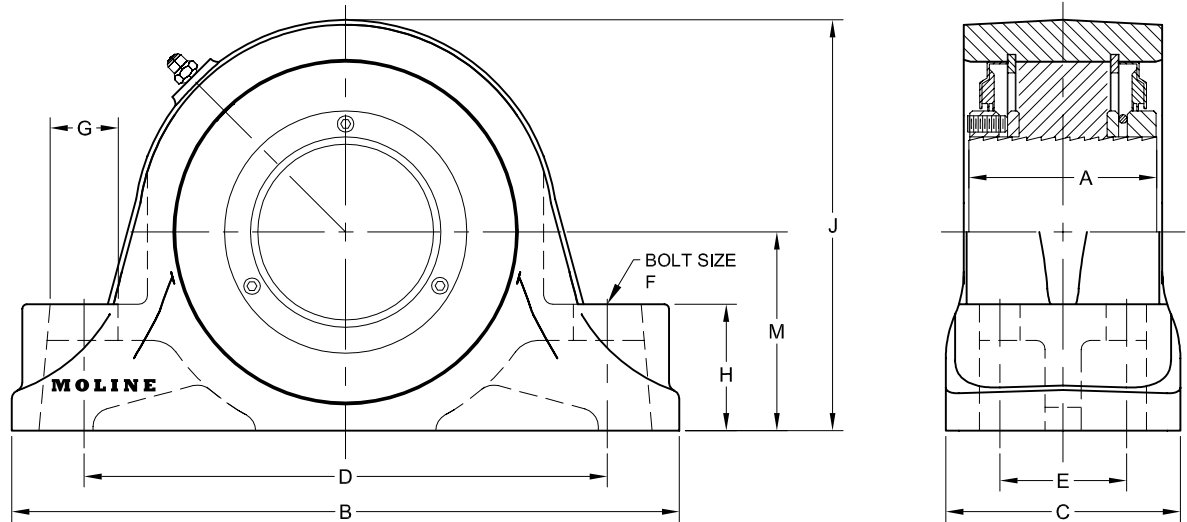
73

M3000 EVEN-LOK™ 4-BOLT PILLOW BLOCK

SHAFT SIZE	MOLINE PART #		DIMENSIONS (INCHES)										WEIGHT LBS.
	EXP	NON-EXP	A	B	C	D	E	F	G	H	J	M	
2 ⁷ / ₁₆ 2 ¹ / ₂	19641207 19641208	19741207 19741208	2 ³⁷ / ₆₄	9 ¹ / ₄	3 ¹ / ₄	7 ¹ / ₄	1 ³ / ₄	1/2	1 ⁵ / ₁₆	1 ³ / ₄	5 ¹¹ / ₁₆	2 ³ / ₄	17
2 ¹¹ / ₁₆ 2 ³ / ₄ 2 ¹⁵ / ₁₆ 3	19641211 19641212 19641215 19641300	19741211 19741212 19741215 19741300	2 ³⁷ / ₆₄	10 ¹ / ₂	3 ³ / ₄	8 ¹ / ₈	1 ⁷ / ₈	5/8	1 ⁵ / ₁₆	2 ¹ / ₄	6 ⁷ / ₁₆	3 ¹ / ₄	26
3 ⁷ / ₁₆ 3 ¹ / ₂	19641307 19641308	19741307 19741308	3 ⁹ / ₆₄	13	3 ⁷ / ₈	10	2	3/4	1 ⁹ / ₁₆	2 ¹ / ₄	7 ¹ / ₂	3 ³ / ₄	38
3 ¹¹ / ₁₆ 3 ¹⁵ / ₁₆ 4	19641311 19641315 19641400	19741311 19741315 19741400	3 ⁹ / ₆₄	15 ¹ / ₄	4 ¹ / ₂	12	2 ¹ / ₄	3/4	1 ¹³ / ₁₆	2 ⁵ / ₈	8 ¹ / ₂	4 ¹ / ₄	50



M3000 EVEN-LOK™ 4-BOLT PILLOW BLOCK



For personal service and special requests, please call us at 800.242.4633.

CAD drawings available upon request at no additional charge.

For nomenclature see pages 190 and 191.



Post Office Box 99, Batavia, Illinois 60510, USA
630.584.4600, 800.242.4633, 630.584.1999 fax
www.molinebearing.com, sales@molinebearing.com

MOLINE BEARING CO.

TEL # **800.242.4633**

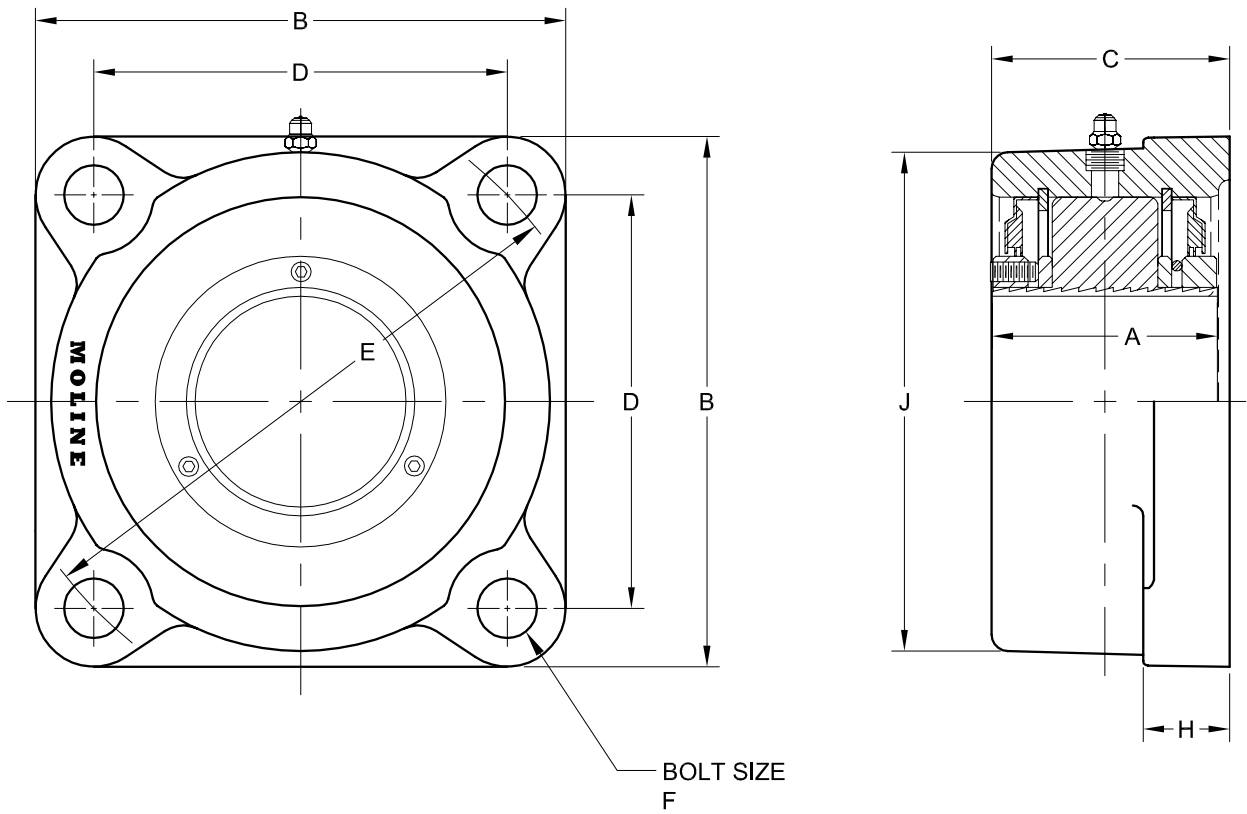
75

M3000 EVEN-LOK™ 4-BOLT FLANGE

SHAFT SIZE	MOLINE PART #		DIMENSIONS (INCHES)								WEIGHT LBS.
	EXP	NON-EXP	A	B	C	D	E	F	H	J	
1 ⁷ / ₁₆ 1 ¹ / ₂	19611107 19611108	19711107 19711108	2 ¹¹ / ₃₂	4 ⁵ / ₈	2 ¹ / ₄	3 ¹⁷ / ₃₂	5	¹ / ₂	³ / ₄	3 ⁷ / ₈	7
1 ¹¹ / ₁₆ 1 ³ / ₄	19611111 19611112	19711111 19711112	2 ¹¹ / ₃₂	5	2 ¹ / ₄	3 ⁵⁷ / ₆₄	5 ¹ / ₂	¹ / ₂	³ / ₄	4 ¹ / ₄	10
1 ¹⁵ / ₁₆ 2	19611115 19611200	19711115 19711200	2 ¹¹ / ₃₂	5 ¹ / ₄	2 ¹ / ₄	4 ¹ / ₁₆	5 ³ / ₄	¹ / ₂	³ / ₄	4 ¹ / ₂	10.5
2 ³ / ₁₆	19611203	19711203	2 ¹¹ / ₃₂	5 ⁷ / ₈	2 ⁷ / ₁₆	4 ¹ / ₂	6 ³ / ₈	⁵ / ₈	³ / ₄	5	12.5
2 ⁷ / ₁₆ 2 ¹ / ₂	19611207 19611208	19711207 19711208	2 ³⁷ / ₆₄	6 ¹ / ₈	2 ³ / ₄	4 ⁴⁹ / ₆₄	6 ³ / ₄	⁵ / ₈	1	5 ³ / ₄	16.5
2 ¹¹ / ₁₆ 2 ³ / ₄ 2 ¹⁵ / ₁₆ 3	19611211 19611212 19611215 19611300	19711211 19711212 19711215 19711300	2 ³⁷ / ₆₄	7 ¹ / ₄	2 ⁷ / ₈	5 ⁹ / ₁₆	7 ⁷ / ₈	³ / ₄	1	6 ⁵ / ₈	25
3 ⁷ / ₁₆ 3 ¹ / ₂	19611307 19611308	19711307 19711308	3 ⁹ / ₆₄	8 ³ / ₈	3 ¹ / ₄	6 ²³ / ₃₂	9 ¹ / ₂	³ / ₄	1 ¹ / ₈	7 ⁵ / ₈	35
3 ¹¹ / ₁₆ 3 ¹⁵ / ₁₆ 4	19611311 19611315 19611400	19711311 19711315 19711400	3 ⁹ / ₆₄	9 ¹ / ₂	3 ⁹ / ₁₆	7 ¹⁹ / ₃₂	10 ³ / ₄	⁷ / ₈	1 ³ / ₁₆	8 ³ / ₈	48



M3000 EVEN-LOK™ 4-BOLT FLANGE



For personal service and special requests, please call us at 800.242.4633.
CAD drawings available upon request at no additional charge.

For nomenclature see pages 190 and 191.



Post Office Box 99, Batavia, Illinois 60510, USA
630.584.4600, 800.242.4633, 630.584.1999 fax
www.molinebearing.com, sales@molinebearing.com

MOLINE BEARING CO.

TEL # **800.242.4633**

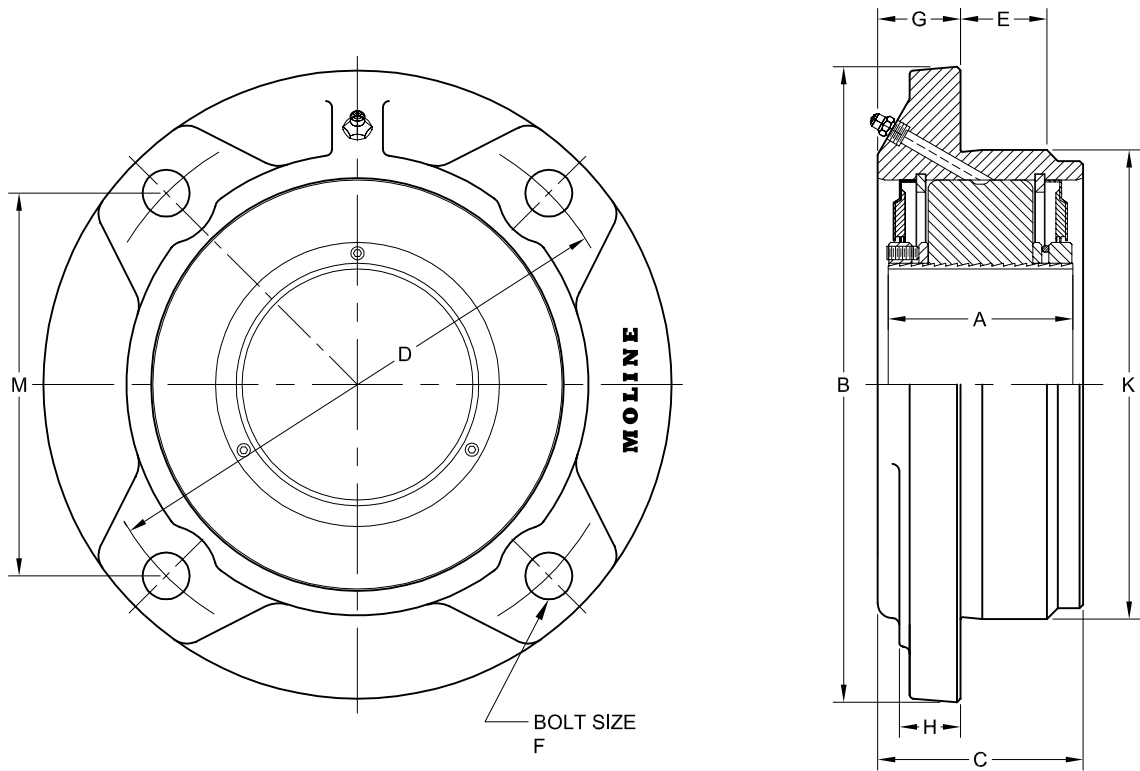
77

M3000 EVEN-LOK™ PILOTED FLANGE CARTRIDGE

SHAFT SIZE	MOLINE PART #		DIMENSIONS (INCHES)										WEIGHT LBS.
	EXP	NON-EXP	A	B	C	D	E	F	G	H	K	M	
1 7/16 1 1/2	19631107 19631108	19731107 19731108	2 11/32	5 1/4	2 1/16	4 3/8	1 9/32	3/8	13/16	1/2	3 5/8	3 3/32	7
1 11/16 1 3/4	19631111 19631112	19731111 19731112	2 11/32	6 1/8	2 3/16	5 1/8	7/8	7/16	3/4	1/2	4 1/4	3 5/8	8.5
1 15/16 2	19631115 19631200	19731115 19731200	2 11/32	6 3/8	2 3/16	5 3/8	7/8	7/16	1 1/16	1/2	4 1/2	3 5/64	10.5
2 3/16	19631203	19731203	2 11/32	7 1/8	2 7/16	6	1	1/2	15/16	1/2	5	4 1/4	14.5
2 7/16 2 1/2	19631207 19631208	19731207 19731208	2 37/64	7 5/8	2 11/16	6 1/2	1	1/2	1 1/16	5/8	5 1/2	4 19/32	16
2 11/16 2 3/4 2 15/16 3	19631211 19631212 19631215 19631300	19731211 19731212 19731215 19731300	2 37/64	8 3/4	2 13/16	7 1/2	1 1/4	5/8	1	3/4	6 3/8	5 19/64	22
3 7/16 3 1/2	19631307 19631308	19731307 19731308	3 9/64	10 1/4	3 1/4	8 5/8	1 1/4	3/4	1 1/2	15/16	7 3/8	6 3/32	33
3 11/16 3 15/16 4	19631311 19631315 19631400	19731311 19731315 19731400	3 9/64	10 7/8	3 9/16	9 3/8	1 1/2	3/4	1 7/16	1 1/16	8 1/8	6 5/8	45



M3000 EVEN-LOK™ PILOTED FLANGE CARTRIDGE



For personal service and special requests, please call us at 800.242.4633. CAD drawings available upon request at no additional charge.

For nomenclature see pages 190 and 191.



Post Office Box 99, Batavia, Illinois 60510, USA
630.584.4600, 800.242.4633, 630.584.1999 fax
www.molinebearing.com, sales@molinebearing.com

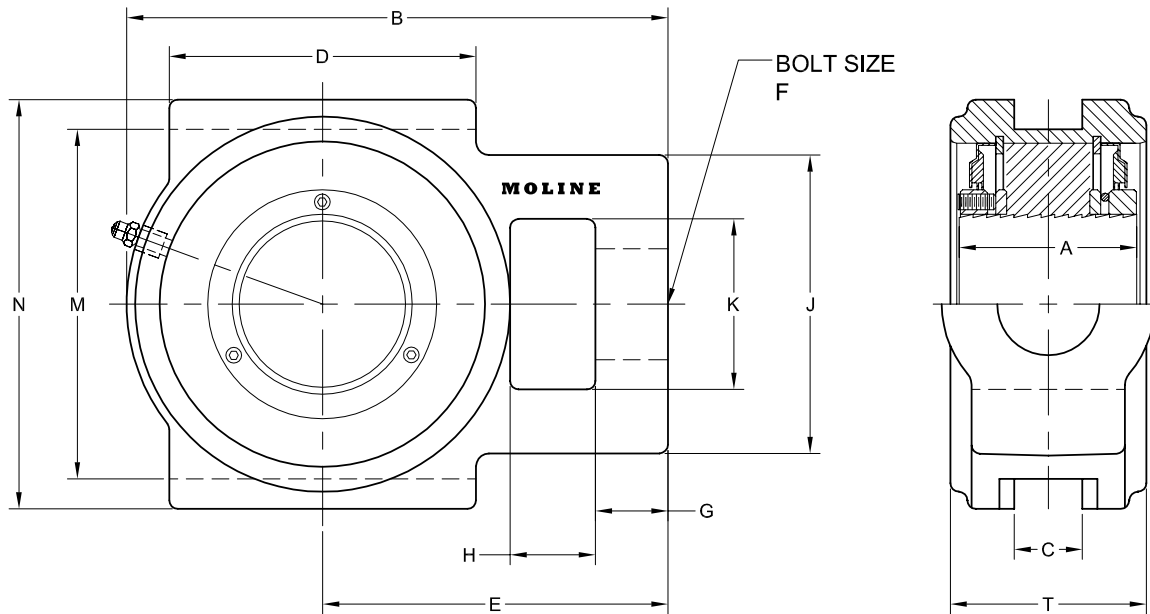
MOLINE BEARING CO.

TEL # **800.242.4633**

79

M3000 EVEN-LOK™ WIDE SLOT TAKE-UP

SHAFT SIZE	MOLINE PART #		DIMENSIONS (INCHES)				
	EXP	NON-EXP	A	B	C	D	E
1 ¹⁵ / ₁₆ 2	19651115 19651200	19751115 19751200	2 ¹¹ / ₃₂	6 ⁵ / ₁₆	1 ¹ / ₁₆	3 ³ / ₄	3 ¹⁵ / ₁₆
2 ³ / ₁₆	19651203	19751203	2 ¹¹ / ₃₂	7 ¹ / ₈	1 ³ / ₁₆	3 ³ / ₄	4 ⁵ / ₈
2 ⁷ / ₁₆ 2 ¹ / ₂	19651207 19651208	19751207 19751208	2 ³⁷ / ₆₄	7 ¹³ / ₁₆	1 ¹ / ₃₂	4 ¹ / ₂	5 ¹ / ₁₆
2 ¹¹ / ₁₆ 2 ³ / ₄ 2 ¹⁵ / ₁₆ 3	19651211 19651212 19651215 19651300	19751211 19751212 19751215 19751300	2 ³⁷ / ₆₄	9 ¹ / ₈	1 ²⁵ / ₃₂	4 ³ / ₄	5 ⁷ / ₈



M3000 EVEN-LOK™ WIDE SLOT TAKE-UP

SHAFT SIZE	DIMENSIONS (INCHES)								WEIGHT LBS.
	F	G	H	J	K	M	N	T	
1 ¹⁵ / ₁₆ 2	1	¹⁵ / ₁₆	³ / ₄	3 ⁵ / ₁₆	1 ¹⁵ / ₁₆	4	4 ³ / ₄	2 ⁷ / ₁₆	12
2 ³ / ₁₆	1 ¹ / ₈	1	1	3 ⁷ / ₈	2 ¹ / ₄	4 ¹ / ₂	5 ¹ / ₄	2 ⁹ / ₁₆	16
2 ⁷ / ₁₆ 2 ¹ / ₂	1 ¹ / ₂	1 ¹ / ₁₆	1 ¹ / ₄	4 ¹ / ₄	2 ¹ / ₂	5 ¹ / ₈	6	2 ³ / ₄	21
2 ¹¹ / ₁₆ 2 ³ / ₄ 2 ¹⁵ / ₁₆ 3	1 ¹ / ₂	1 ³ / ₈	1 ¹ / ₄	4 ⁷ / ₈	2 ³ / ₄	5 ¹⁵ / ₁₆	6 ³ / ₄	3	30



For personal service and special requests, please call us at 800.242.4633.

CAD drawings available upon request at no additional charge.

For nomenclature see pages 190 and 191.



MOLINE BEARING C^o

Post Office Box 99, Batavia, Illinois 60510, USA
630.584.4600, 800.242.4633, 630.584.1999 fax
www.molinebearing.com, sales@molinebearing.com

TEL # **800.242.4633**

81