

A-B COMBINATION PULLEY - QD STYLE, 1-GROOVE

F = 7/8, **F = 1"

MOLINE PART #	BUSHING	BORE RANGE	TYPE*	D.D.		O.D.	E	L	M	WT. LESS BUSHING
				"B" BELTS	"A" BELTS					
1B34SH	SH	1/2" - 1 1/8"	E-1	3.4	3.0	3.75	7/32	1 5/8	2 1/32	2.0
1B36SH	SH	1/2 - 1 1/8	D-1	3.6	3.2	3.95	19/32	1 5/8	5/32	2.2
1B38SH	SH	1/2 - 1 1/8	D-1	3.8	3.4	4.15	19/32	1 5/8	5/32	2.4
1B40SH	SH	1/2 - 1 1/8	C-1	4.0	3.6	4.35	1 1/32	1 5/8	3/32	2.7
1B42SH	SH	1/2 - 1 1/8	C-1	4.2	3.8	4.55	1 1/32	1 5/8	3/32	2.9
1B44SH	SH	1/2 - 1 1/8	C-1	4.4	4.0	4.75	1 1/32	1 5/8	3/32	3.4
1B46SDS	SDS	1/2 - 2	C-1	4.6	4.2	4.95	1 1/32	1 5/8	3/32	4.0
1B48SDS	SDS	1/2 - 2	C-1	4.8	4.4	5.15	1 1/32	1 5/8	3/32	4.3
1B50SDS	SDS	1/2 - 2	C-1	5.0	4.6	5.35	1 1/32	1 5/8	3/32	4.7
1B52SDS	SDS	1/2 - 2	C-1	5.2	4.8	5.55	1 1/32	1 5/8	3/32	5.0
1B54SDS	SDS	1/2 - 2	C-1	5.4	5.0	5.75	1 1/32	1 5/8	3/32	5.3
1B56SDS	SDS	1/2 - 2	C-1	5.6	5.2	5.95	1 1/32	1 5/8	3/32	5.6
1B58SDS	SDS	1/2 - 2	C-1	5.8	5.4	6.15	1 1/32	1 5/8	3/32	5.9
1B60SDS	SDS	1/2 - 2	C-1	6.0	5.6	6.35	1 1/32	1 5/8	3/32	6.2
1B62SDS	SDS	1/2 - 2	C-1	6.2	5.8	6.55	1 1/32	1 5/8	3/32	6.5
1B64SDS	SDS	1/2 - 2	C-1	6.4	6.0	6.75	1 1/32	1 5/8	3/32	6.8
1B66SDS	SDS	1/2 - 2	C-1	6.6	6.2	6.95	1 1/32	1 5/8	3/32	7.2
1B68SDS	SDS	1/2 - 2	C-1	6.8	6.4	7.15	1 1/32	1 5/8	3/32	7.5
1B70SDS	SDS	1/2 - 2	C-1	7.0	6.6	7.35	1 1/32	1 5/8	3/32	7.8
1B74SDS**	SDS	1/2 - 2	C-2	7.4	7.0	7.75	17/32	1 5/8	7/32	8.8
1B80SDS**	SDS	1/2 - 2	C-2	8.0	7.6	8.35	17/32	1 5/8	7/32	9.6
1B86SDS**	SDS	1/2 - 2	C-2	8.6	8.2	8.95	17/32	1 5/8	7/32	10.0
1B94SDS	SDS	1/2 - 2	C-2	9.4	9.0	9.75	17/32	1 5/8	7/32	10.5



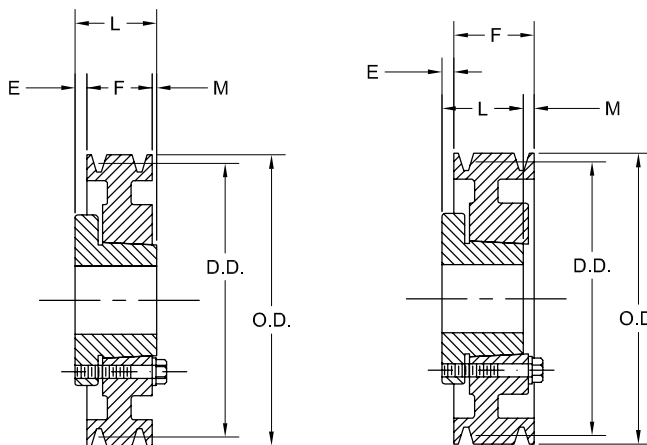
A-B COMBINATION PULLEY - QD STYLE, 1-GROOVE

F = 7/8, **F = 1"

MOLINE PART #	BUSHING	BORE RANGE	TYPE*	D.D.		O.D.	E	L	M	WT. LESS BUSHING
				"B" BELTS	"A" BELTS					
1B110SDS**	SDS	1/2 - 2	D-3	11.0	10.6	11.35	17/32	1 5/16	7/32	11.0
1B124SDS**	SDS	1/2 - 2	D-3	12.4	12.0	12.75	17/32	1 5/16	7/32	12.0
1B136SDS**	SDS	1/2 - 2	D-3	13.6	13.2	13.95	17/32	1 5/16	7/32	14.0
1B154SK**	SK	1/2 - 2 5/8	C-3	15.4	15.0	15.75	2 1/32	1 15/16	9/32	16.0
1B160SK	SK	1/2 - 2 5/8	C-3	16.0	15.6	16.35	2 1/32	1 15/16	9/32	16.6
1B184SK**	SK	1/2 - 2 5/8	C-3	18.4	18.0	18.75	2 1/32	1 15/16	9/32	18.0

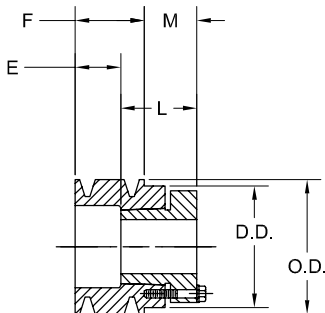
Pulleys are cast iron with a black oxide finish.

* Denotes 1=Solid Construction; 2=Web Construction; 3=Arm Construction



TYPE C

TYPE D



TYPE E



For personal service and special requests, please call us at 800.242.4633.

CAD drawings available upon request at no additional charge.



MOLINE BEARING CO.

Post Office Box 99, Batavia, Illinois 60510, USA
630.584.4600, 800.242.4633, 630.584.1999 fax
www.molinebearing.com, sales@molinebearing.com

TEL # **800.242.4633**

157

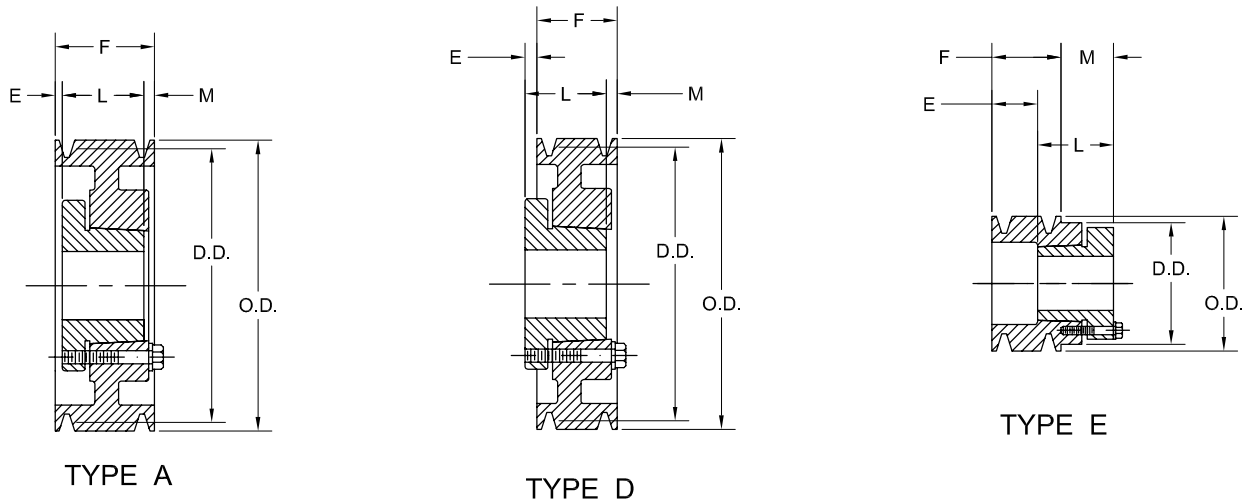
A-B COMBINATION PULLEY - QD STYLE, 2-GROOVE

F = 1 3/4

MOLINE PART #	BUSHING	BORE RANGE	TYPE*	D.D.		O.D.	E	L	M	WT. LESS BUSHING
				"B" BELTS	"A" BELTS					
2B34SH	SH	1/2 - 1 5/8	E-1	3.4	3.0	3.75	1 3/32	1 5/16	2 1/32	3.2
2B36SH	SH	1/2 - 1 5/8	D-1	3.6	3.2	3.95	15/32	1 5/16	29/32	3.4
2B38SH	SH	1/2 - 1 5/8	D-1	3.8	3.4	4.15	15/32	1 5/16	29/32	3.9
2B40SH	SH	1/2 - 1 5/8	A-1	4.0	3.6	4.35	1/2	1 5/16	13/32	4.1
2B42SH	SH	1/2 - 1 5/8	A-1	4.2	3.8	4.55	1/2	1 5/16	13/32	4.4
2B44SH	SH	1/2 - 1 5/8	A-1	4.4	4.0	4.75	1/2	1 5/16	13/32	4.6
2B46SDS	SDS	1/2 - 2	A-1	4.6	4.2	4.95	1/2	1 5/16	13/32	5.0
2B48SDS	SDS	1/2 - 2	A-1	4.8	4.4	5.15	1/2	1 5/16	13/32	5.4
2B50SDS	SDS	1/2 - 2	A-1	5.0	4.6	5.35	1/2	1 5/16	13/32	6.0
2B52SDS	SDS	1/2 - 2	A-1	5.2	4.8	5.55	1/2	1 5/16	13/32	6.3
2B54SDS	SDS	1/2 - 2	A-1	5.4	5.0	5.75	1/2	1 5/16	13/32	6.6
2B56SDS	SDS	1/2 - 2	A-2	5.6	5.2	5.95	1/2	1 5/16	13/32	6.9
2B58SDS	SDS	1/2 - 2	A-2	5.8	5.4	6.15	1/2	1 5/16	13/32	7.2
2B60SDS	SDS	1/2 - 2	A-2	6.0	5.6	6.35	1/2	1 5/16	13/32	7.5
2B62SDS	SDS	1/2 - 2	A-2	6.2	5.8	6.55	1/2	1 5/16	13/32	7.8
2B64SDS	SDS	1/2 - 2	A-2	6.4	6.0	6.75	1/2	1 5/16	13/32	8.2
2B66SDS	SDS	1/2 - 2	A-2	6.6	6.2	6.95	1/2	1 5/16	13/32	8.6
2B68SDS	SDS	1/2 - 2	A-3	6.8	6.4	7.15	1/2	1 5/16	13/32	9.0
2B70SK	SK	1/2 - 2 5/8	D-1	7.0	6.6	7.35	1 1/32	1 15/16	5/32	9.3
2B74SK	SK	1/2 - 2 5/8	D-3	7.4	7.0	7.75	1 1/32	1 15/16	5/32	10.6
2B80SK	SK	1/2 - 2 5/8	D-3	8.0	7.6	8.35	1 1/32	1 15/16	5/32	11.0
2B86SK	SK	1/2 - 2 5/8	D-3	8.6	8.2	8.95	1 1/32	1 15/16	5/32	11.6
2B94SK	SK	1/2 - 2 5/8	D-3	9.4	9.0	9.75	1 1/32	1 15/16	5/32	13.0
2B110SK	SK	1/2 - 2 5/8	D-3	11.0	10.6	11.35	1 1/32	1 15/16	5/32	14.0
2B124SK	SK	1/2 - 2 5/8	D-3	12.4	12.0	12.75	1 1/32	1 15/16	5/32	18.0
2B136SK	SK	1/2 - 2 5/8	D-3	13.6	13.2	13.95	1 1/32	1 15/16	5/32	20.0
2B154SK	SK	1/2 - 2 5/8	D-3	15.4	15.0	15.75	1 1/32	1 15/16	5/32	23.0
2B160SK	SK	1/2 - 2 5/8	D-3	16.0	15.6	16.35	1 1/32	1 15/16	5/32	24.0
2B184SK	SK	1/2 - 2 5/8	D-3	18.4	18.0	18.75	1 1/32	1 15/16	5/32	29.0
2B200SF	SF	1/2 - 2 15/16	D-3	20.0	19.6	20.35	15/32	2 1/16	5/32	33.0



A-B COMBINATION PULLEY - QD STYLE, 2-GROOVE



Pulleys are cast iron with a black oxide finish.

* Denotes 1=Solid Construction; 2=Web Construction; 3=Arm Construction



For personal service and special requests, please call us at 800.242.4633.
CAD drawings available upon request at no additional charge.



MOLINE BEARING CO.

Post Office Box 99, Batavia, Illinois 60510, USA
630.584.4600, 800.242.4633, 630.584.1999 fax
www.molinebearing.com, sales@molinebearing.com

TEL # **800.242.4633**

159

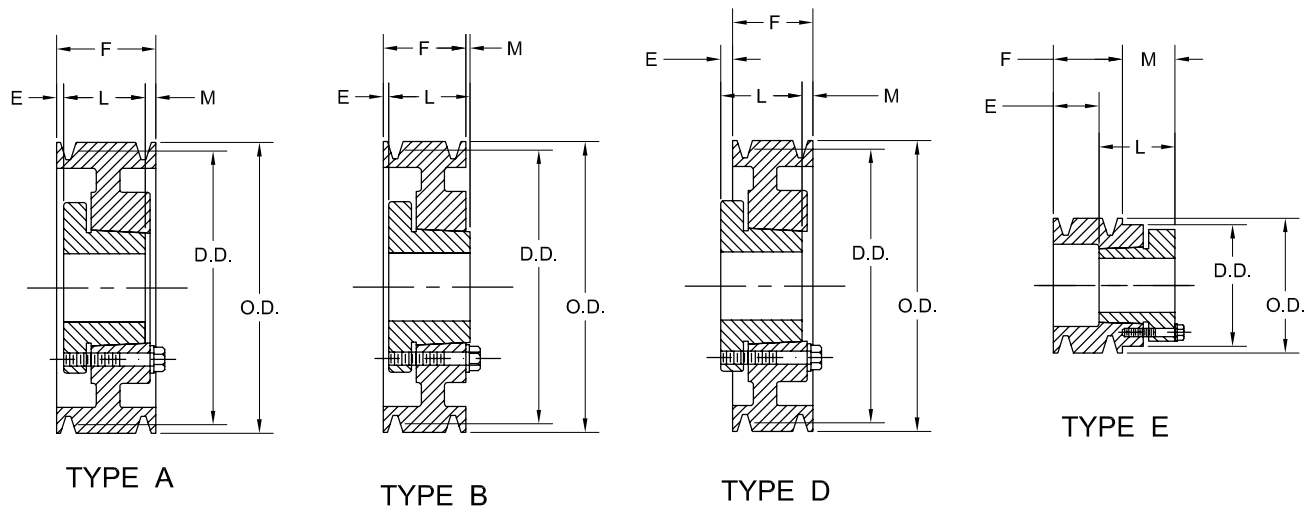
A-B COMBINATION PULLEY - QD STYLE, 3-GROOVE

F = 2 1/2

MOLINE PART #	BUSHING	BORE RANGE	TYPE*	D.D.		O.D.	E	L	M	WT. LESS BUSHING
				"B" BELTS	"A" BELTS					
3B34SH	SH	1/2 - 1 5/8	E-1	3.4	3.0	3.75	1 27/32	1 5/16	1 21/32	4.4
3B36SH	SH	1/2 - 1 5/8	D-1	3.6	3.2	3.95	15/32	1 5/16	1 21/32	4.7
3B38SH	SH	1/2 - 1 5/8	D-1	3.8	3.4	4.15	15/32	1 5/16	1 21/32	5.3
3B40SH	SH	1/2 - 1 5/8	D-1	4.0	3.6	4.35	15/32	1 5/16	1 21/32	5.6
3B42SH	SH	1/2 - 1 5/8	D-1	4.2	3.8	4.55	15/32	1 5/16	1 21/32	5.9
3B44SH	SH	1/2 - 1 5/8	D-1	4.4	4.0	4.75	15/32	1 5/16	1 21/32	6.3
3B46SD	SD	1/2 - 2	A-1	4.6	4.2	4.95	13/32	1 13/16	9/32	6.7
3B48SD	SD	1/2 - 2	A-1	4.8	4.4	5.15	13/32	1 13/16	9/32	7.1
3B50SD	SD	1/2 - 2	A-1	5.0	4.6	5.35	13/32	1 13/16	9/32	7.4
3B52SD	SD	1/2 - 2	A-1	5.2	4.8	5.55	13/32	1 13/16	9/32	7.8
3B54SD	SD	1/2 - 2	A-1	5.4	5.0	5.75	13/32	1 13/16	9/32	8.2
3B56SD	SD	1/2 - 2	A-1	5.6	5.2	5.95	13/32	1 13/16	9/32	8.5
3B58SD	SD	1/2 - 2	A-1	5.8	5.4	6.15	13/32	1 13/16	9/32	8.8
3B60SD	SD	1/2 - 2	A-1	6.0	5.6	6.35	13/32	1 13/16	9/32	9.1
3B62SD	SD	1/2 - 2	A-1	6.2	5.8	6.55	13/32	1 13/16	9/32	9.4
3B64SD	SD	1/2 - 2	A-1	6.4	6.0	6.75	13/32	1 13/16	9/32	9.7
3B66SD	SD	1/2 - 2	A-1	6.6	6.2	6.95	13/32	1 13/16	9/32	10.0
3B68SD	SD	1/2 - 2	B-3	6.8	6.4	7.15	13/32	1 13/16	9/32	10.5
3B70SK	SK	1/2 - 2 5/8	D-1	7.0	6.6	7.35	3/32	1 15/16	2 1/32	11.0
3B74SK	SK	1/2 - 2 5/8	D-3	7.4	7.0	7.75	3/32	1 15/16	2 1/32	12.0
3B80SK	SK	1/2 - 2 5/8	D-3	8.0	7.6	8.35	3/32	1 15/16	2 1/32	12.5
3B86SK	SK	1/2 - 2 5/8	D-3	8.6	8.2	8.95	3/32	1 15/16	2 1/32	13.0
3B94SK	SK	1/2 - 2 5/8	D-3	9.4	9.0	9.75	3/32	1 15/16	2 1/32	16.0
3B110SK	SK	1/2 - 2 5/8	D-3	11.0	10.6	11.35	3/32	1 15/16	2 1/32	19.0
3B124SK	SK	1/2 - 2 5/8	D-3	12.4	12.0	12.75	3/32	1 15/16	2 1/32	24.0
3B136SK	SK	1/2 - 2 5/8	D-3	13.6	13.2	13.95	3/32	1 15/16	2 1/32	27.0
3B154SK	SK	1/2 - 2 5/8	D-3	15.4	15.0	15.75	3/32	1 15/16	2 1/32	30.0
3B160SK	SK	1/2 - 2 5/8	D-3	16.0	15.6	16.35	3/32	1 15/16	2 1/32	33.0
3B184SK	SK	1/2 - 2 5/8	D-3	18.4	18.0	18.75	3/32	1 15/16	2 1/32	38.0
3B250SF	SF	1/2 - 2 15/16	D-3	25.0	24.6	25.35	7/32	2 1/16	2 1/32	54.0



A-B COMBINATION PULLEY - QD STYLE, 3-GROOVE



Pulleys are cast iron with a black oxide finish.

* Denotes 1=Solid Construction; 2=Web Construction; 3=Arm Construction



For personal service and special requests, please call us at 800.242.4633.

CAD drawings available upon request at no additional charge.



MOLINE BEARING CO.

Post Office Box 99, Batavia, Illinois 60510, USA
630.584.4600, 800.242.4633, 630.584.1999 fax
www.molinebearing.com, sales@molinebearing.com

TEL # **800.242.4633**

161

A-B COMBINATION PULLEY - QD STYLE, 4-GROOVE

F = 3 ¼

MOLINE PART #	BUSHING	BORE RANGE	TYPE*	D.D.		O.D.	E	L	M	WT. LESS BUSHING
				"B" BELTS	"A" BELTS					
4B34SD	SD	½ - 2	E-1	3.4	3.0	3.75	2 15/32	1 13/16	1 1/32	5.5
4B36SD	SD	½ - 2	E-1	3.6	3.2	3.95	2 15/32	1 13/16	1 1/32	5.8
4B38SD	SD	½ - 2	E-1	3.8	3.4	4.15	2 15/32	1 13/16	1 1/32	6.2
4B40SD	SD	½ - 2	E-1	4.0	3.6	4.35	2 3/32	1 13/16	2 1/32	6.6
4B42SD	SD	½ - 2	E-1	4.2	3.8	4.55	2 3/32	1 13/16	2 1/32	6.9
4B44SD	SD	½ - 2	E-1	4.4	4.0	4.75	2 3/32	1 13/16	2 1/32	7.2
4B46SD	SD	½ - 2	A-1	4.6	4.2	4.95	2 1/32	1 13/16	2 5/32	7.6
4B48SD	SD	½ - 2	A-1	4.8	4.4	5.15	2 1/32	1 13/16	2 5/32	8.0
4B50SD	SD	½ - 2	A-1	5.0	4.6	5.35	2 1/32	1 13/16	2 5/32	8.4
4B52SD	SD	½ - 2	A-1	5.2	4.8	5.55	2 1/32	1 13/16	2 5/32	8.8
4B54SD	SD	½ - 2	A-1	5.4	5.4	5.75	2 1/32	1 13/16	2 5/32	9.2
4B56SD	SD	½ - 2	A-1	5.6	5.2	5.95	2 1/32	1 13/16	2 5/32	9.6
4B58SD	SD	½ - 2	A-1	5.8	5.4	6.15	2 1/32	1 13/16	2 5/32	10.0
4B60SD	SD	½ - 2	A-1	6.0	5.6	6.35	2 1/32	1 13/16	2 5/32	10.4
4B62SD	SD	½ - 2	A-1	6.2	5.8	6.55	2 1/32	1 13/16	2 5/32	10.8
4B64SD	SD	½ - 2	A-1	6.4	6.0	6.75	2 1/32	1 13/16	2 5/32	12.0
4B66SD	SD	½ - 2	A-1	6.6	6.2	6.95	2 1/32	1 13/16	2 5/32	12.4
4B68SD	SD	½ - 2	A-3	6.8	6.4	7.15	2 1/32	1 13/16	2 5/32	13.0
4B70SK	SK	½ - 2 5/8	A-1	7.0	6.6	7.35	7/32	1 15/16	1 3/32	13.5
4B74SK	SK	½ - 2 5/8	A-3	7.4	7.0	7.75	7/32	1 15/16	1 3/32	14.0
4B80SK	SK	½ - 2 5/8	A-3	8.0	7.6	8.35	7/32	1 15/16	1 3/32	15.5
4B86SK	SK	½ - 2 5/8	A-3	8.6	8.2	8.95	7/32	1 15/16	1 3/32	17.0
4B94SK	SK	½ - 2 5/8	A-3	9.4	9.0	9.75	7/32	1 15/16	1 3/32	19.0
4B110SK	SK	½ - 2 5/8	A-3	11.0	10.6	11.35	7/32	1 15/16	1 3/32	22.0
4B124SK	SK	½ - 2 5/8	A-3	12.4	12.0	12.75	7/32	1 15/16	1 3/32	29.0



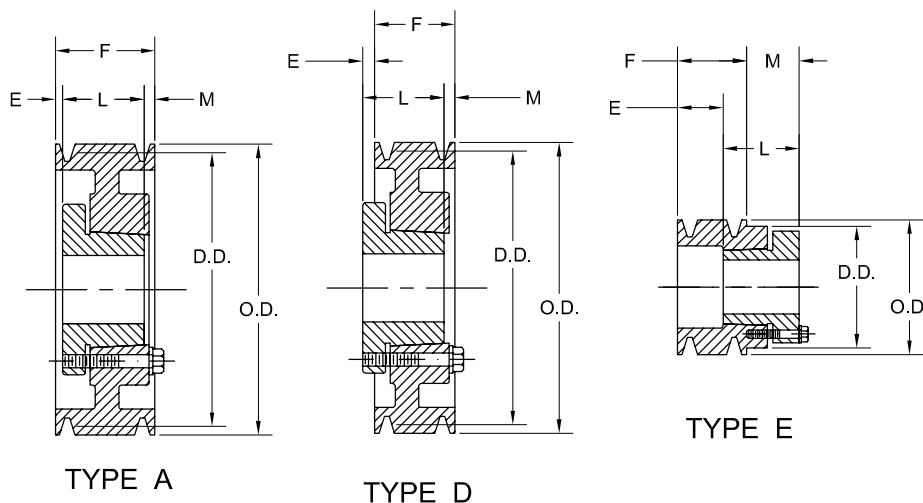
A-B COMBINATION PULLEY - QD STYLE, 4-GROOVE

F = 3 1/4

MOLINE PART #	BUSHING	BORE RANGE	TYPE*	D.D.		O.D.	E	L	M	WT. LESS BUSHING
				"B" BELTS	"A" BELTS					
4B136SK	SK	1/2 - 2 5/8	A-3	13.6	13.2	13.95	7/32	1 15/16	1 3/32	34.0
4B154SF	SF	1/2 - 2 15/16	A-3	15.4	15.0	15.75	5/32	2 1/16	1 1/32	39.0
4B160SF	SF	1/2 - 2 15/16	A-3	16.0	15.6	16.35	5/32	2 1/16	1 1/32	42.0
4B184SF	SF	1/2 - 2 15/16	A-3	18.4	18.0	18.75	5/32	2 1/16	1 1/32	47.0
4B200SF	SF	1/2 - 2 15/16	A-3	20.0	19.6	20.35	5/32	2 1/16	1 1/32	51.0
4B250E	E	7/8 - 3 1/2	D-3	25.0	24.6	25.35	5/32	2 3/4	2 1/32	73.0

Pulleys are cast iron with a black oxide finish and 1 set screw.

* Denotes 1=Solid Construction; 2=Web Construction; 3=Arm Construction



For personal service and special requests, please call us at 800.242.4633.

CAD drawings available upon request at no additional charge.



MOLINE BEARING CO.

Post Office Box 99, Batavia, Illinois 60510, USA
 630.584.4600, 800.242.4633, 630.584.1999 fax
 www.molinebearing.com, sales@molinebearing.com

TEL # **800.242.4633**

163